

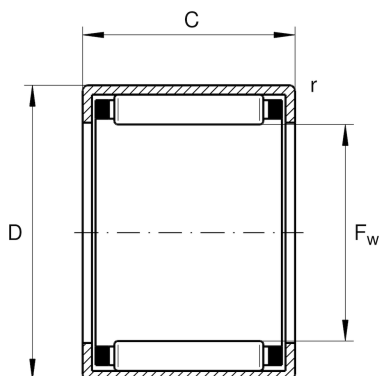
HK0908

Drawn cup needle roller bearing open end

Schaeffler ID:
0001895530000

Drawn cup needle roller bearings with
open ends HK, to DIN 618/ISO 3245

Technical information



Main Dimensions & Performance Data

F_w	9 mm	Under roller diameter
D	13 mm	Outside diameter
C	8 mm	Width
C_r	3,550 N	Basic dynamic load rating, radial
C_{0r}	3,750 N	Basic static load rating, radial
C_{ur}	450 N	Fatigue load limit, radial
n_G	26,500 1/min	Limiting speed
$n_{G \text{ Grease}}$	16,000 1/min	Limiting speed for grease lubrication
n_{gr}	20,600 1/min	Reference speed
	2.72 g	Weight

Dimensions

	GR9X13X3	Sealing ring
C_1	8 mm	Width, outer ring
r_{min}	0.4 mm	Minimum chamfer dimension
	G9X13X3	Sealing ring 2

Temperature range

T_{min}	-30 °C	Operating temperature min.
T_{max}	140 °C	Operating temperature max.